

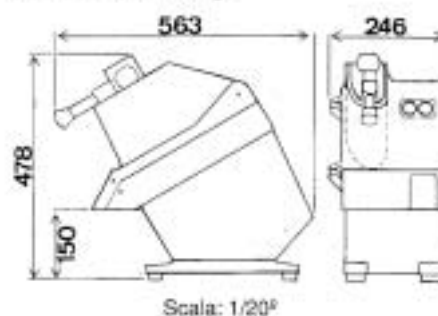
VEGETABLE PREPARATION MACHINE



- Vegetable preparation machine
- Ideal for slicing, julienne and grating
- Choose disk to suit your needs
- Threephase and singlephase
- Fast and easy to clean
- Disks not included in price
- The most powerful available on the market
- Safety microswitch
- The best machine on the market

**SUPER
PRICE**

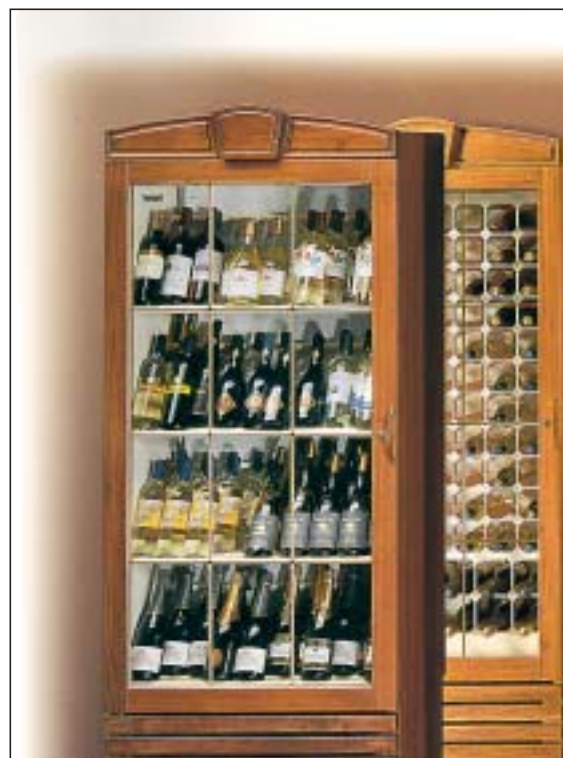
□ Peso netto: 18 Kg.



UNIVERSAL DISKS

For:
- slicing
- julienne
- grating

- ART.: E1**
- Onions thickness 1mm
- ART.: E1S**
- Onions thickness 1mm
- ART.: E2S**
- Peppers and Mishrooms 2mm
- ART.: E2**
- Peppers and Mishrooms 2mm
- ART.: E3**
- Peppers 3mm
- ART.: E4**
- Aubergines and salads 4mm
- ART.: E5**
- Tomatoes and Aubergines
- ART.: Z3**
- Carrols 3 mm
- ART.: Z4**
- Carrols 4 mm
- ART.: Z7**
- Mozzarellas 7 mm
- ART.: V**
- Bread and Chesse



CALIFORNIAN WINE FRIDGE

This model holds 120 bottles
Available in two colours:
dark walnut and pale oak
isolating glassdoor with
Dim. 820 x 460 x 2030 mm. h.